

YAMAHA STRINGS

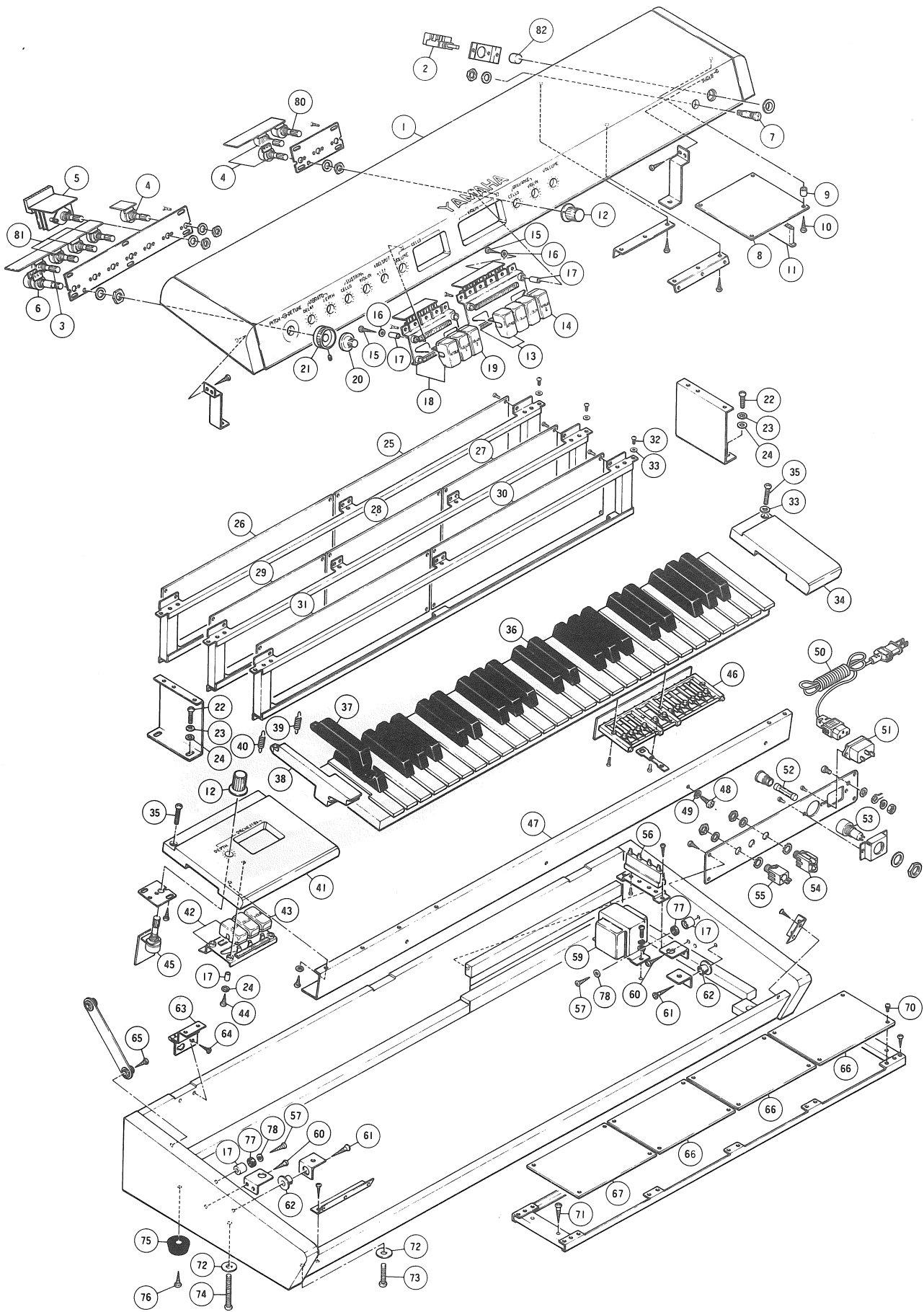
SS-30

PARTS LIST



INDEX (目次)

Circuit Boards & Components(シート及びシート部品)	2
Keyboard, Panel & Components(鍵盤及びパネル部品)	5
Cabinet(外装部品)	7



1. Circuit Boards & Components (シート及びシート部品)

Ref. No.	Part No. (パーツNo.)	Description (部品名)	Remarks (番号)	Common Model		
67	30:12:70:NA:80:32:60	K1 Circuit Board #82780	シ - ト			
66	30:12:70:NA:80:32:70	K2, K3, K4 -do.- -do.-	〃			
26	30:12:70:NA:80:32:80	G1 -do.- #82790	〃			
25	30:12:70:NA:80:32:90	G2 -do.- #82800	〃			
30	30:12:70:NA:80:33:00	G3 -do.- #83130	〃			
31	30:12:70:NA:80:33:10	G4 -do.- #83140	〃			
28	30:12:70:NA:80:33:20	LF -do.- #82810	〃			
27	30:12:70:NA:80:33:30	OR -do.- #82820	〃			
29	30:12:70:NA:80:33:40	F -do.- #82830	〃			
8	30:12:00:NA:80:33:50	DC -do.- #82841	〃	Japan, GENERAL Australian, S. African		
	30:12:00:NA:80:33:60	-do.- -do.- -do.-	〃	US, American, Canadian		
	30:12:00:NA:80:33:70	-do.- -do.- -do.-	〃	British, N. European		
5	30:12:70:NA:80:34:20	P5 -do.- #82910	〃	KBD · SPLIT		
	40:10:11:iG:00:09:40	IC LM3211	I C	OCT Divider		
	40:10:00:iG:00:10:20	-do.- HA1452	〃	Pre-Amp.		
	40:10:00:iG:00:12:50	-do.- TC4027P	〃	Flip-Flop		
	40:10:00:iG:00:13:90	-do.- NJM4558	〃	OP-Amp.		
	30:10:00:iG:00:14:20	-do.- YM25400	〃	Master OCT		
	40:10:00:iG:00:15:00	-do.- IG00150	〃	VCO II		
	40:10:00:iG:00:16:90	-do.- TC4016P	〃	Gate		
	40:10:00:iG:02:54:00	-do.- MN3004	〃	Analog Delay		
	40:10:00:iA:04:95:10	Transistor 2SA495	ト ラ ン ジ ス タ			
	40:10:00:iA:05:09:10	-do.- 2SA509	〃			
	40:10:00:iA:05:61:70	-do.- 2SA561	〃			
	40:10:00:iA:07:77:30	-do.- 2SA777	〃			
	40:10:00:iB:05:96:20	-do.- 2SB596	〃			
	40:10:00:iC:04:58:80	-do.- 2SC458	〃			
	40:10:00:iC:04:58:50	-do.- 2SC458LG	〃			
	40:10:00:iC:07:52:30	-do.- 2SC752	〃			
	40:10:00:iC:16:81:20	-do.- 2SC1681	〃			
	40:10:00:iD:05:26:10	-do.- 2SD526	〃			
	40:10:00:iE:00:00:10	FET 2SK30A	F E T			
	40:10:00:iF:00:00:40	Diode 1S1555	ダ イ オ ー ド			
	40:10:00:iF:00:03:20	Zener Diode WZ-061	ツェナーダイオード			
	40:10:00:iF:00:08:30	-do.- RD-4.7E	〃			
	40:10:00:iF:00:09:90	-do.- 02Z7.5A	〃			
	40:10:00:iF:00:10:40	-do.- 02Z24A	〃			
	40:10:00:iF:00:10:60	-do.- 02Z8.2A	〃			
	40:10:00:iH:00:01:40	Diode 10DC-4	ペアーダイオード	Substitution of 10DC-1		
	40:10:00:iH:00:01:50	-do.- 10DC-4R	〃	-do.- of 10DC-1R		
	40:10:00:iK:00:01:10	Photo Coupler P588-G50-201B	フ ォ ト カ プ ラ ー			

Ref. No.	Part No. (パーツNo.)	Description (部品名)	Remarks (番号)	Common Model						
40	10	00	FM	09	71	00	Nonpolar Capacitor 16V 10 μ F	N P コ ン デ ン サ		
40	10	00	FM	09	73	30	-do.- -do.- 33 μ F	"		
40	10	00	FP	32	66	80	Tantalum Capacitor 10V 6.8 μ F	タ ン タ ル コ ン デ ン サ		
40	10	00	FP	34	61	50	-do.- 25V 1.5 μ F	"		
40	10	00	FP	15	52	20	-do.- 35V 0.22 μ F	"		
40	10	00	FP	15	62	20	-do.- -do.- 2.2 μ F	"		
40	10	00	FP	15	71	00	-do.- -do.- 10 μ F	"		
40	10	00	FD	11	24	70	Polystyrene Capacitor 470P	ス チ ロ ー ル コ ン デ ン サ		
40	10	00	FD	11	31	00	-do.- 1000P	"		
40	10	00	GE	90	01	90	OSC Coil 500 μ H	O S C コ イ ル		
40	10	00	GE	30	01	20	Choke Coil 100 μ H	チ ョ ー ク コ イ ル		
40	10	00	GB	06	32	70	Filter Coil 27mH	フ ィ ル タ ー コ イ ル		
40	10	00	GB	06	35	60	-do.- 56mH	"		
40	10	00	GB	06	41	20	-do.- 120mH	"		
40	10	00	GB	06	43	90	-do.- 390mH	"		
40	10	00	HU	57	61	20	Metal Film Resistor 1% 1.2K Ω	金 属 被 膜 抵 抗		
40	10	00	HU	57	71	00	-do.- -do.- 10K Ω	"		
40	10	00	HU	57	71	50	-do.- -do.- 15K Ω	"		
40	10	00	HU	57	72	70	-do.- -do.- 27K Ω	"		
40	10	00	HU	57	73	30	-do.- -do.- 33K Ω	"		
40	10	00	HU	57	73	90	-do.- -do.- 39K Ω	"		
40	10	00	HU	57	78	20	-do.- -do.- 82K Ω	"		
40	10	00	HL	31	61	20	Metal Oxide Resistor 1W 1.2K Ω	酸 化 金 属 抵 抗		
40	10	00	HL	31	61	50	-do.- -do.- 1.5K Ω	"		
40	10	00	HI	20	99	90	Solid Resistor 10M Ω	ソ リ ッ ド 抵 抗		
40	10	00	HT	18	00	70	Semi Variable Resistor B-100K Ω	半 固 定 抵 抗		
40	10	00	HT	18	00	90	-do.- B-1M Ω	"		
40	10	00	HT	37	01	10	-do.- B-200K Ω	"		
40	10	00	HT	41	00	70	-do.- B-10K Ω	"	DC ckt	
40	10	00	HS	41	04	70	Variable Resistor A-10K Ω	ポ リ ウ ム	VOLUME	
40	10	00	HS	41	04	80	-do.- B-10K Ω	"	SUSTAIN, VIB-DEPTH	
40	10	00	HS	41	06	40	-do.- B-50K Ω	"	ORCHESTRA-DEPTH	
40	10	00	HS	41	06	90	-do.- B-10K Ω x 2	"	PITCH, DE TUNE	
40	10	00	HS	41	07	00	-do.- B-500K Ω	"	VIB-DELAY	
40	10	00	HS	41	07	10	-do.- A-100K Ω	"	BRILLIANCE SELLO-VOL	
40	10	00	KA	50	11	60	Rotary Switch 4 contacts x 6 circuit	ス ラ イ ド S W 4 接 点 6 回 路	KBD-SPLIT	
40	10	00	LB	60	19	70	Connector (Bottom Entry) 20 pin	コ ネ ク タ ー (ボ ト ム)	-do.-	
40	10	00	LB	60	03	70	-do.- Housing 20 pin	コ ネ ク タ ー ハ ウ ス	-do.-	
40	10	00	LB	10	01	90	-do.- Pin	ピ ン	-do.-	

2. Keyboard, Panel & Components (鍵盤及びパネル部品)

Ref. No.	Part No. (パーツNo.)	Description (部品名)	Remarks (備考)	Common Model
36	30:12:70:NB:80:86:80	Keyboard Assembly	鍵盤 Ass'y	
46	30:12:70:NB:80:86:40	Switch Assembly 1u	スイッチ Ass'y	
	30:12:70:NB:80:86:50	- do. - 2, 3, 4u	"	
38	30:10:00:CB:01:11:70	White Key	白 鍵	
	30:10:00:CB:01:11:80	- do. -	"	
	30:10:00:CB:01:11:90	- do. -	"	
	30:10:00:CB:01:12:00	- do. -	"	
	30:10:00:CB:01:12:10	- do. -	"	
	30:10:00:CB:01:12:20	- do. -	"	
	30:10:00:CB:01:12:30	- do. -	黒 鍵	
40	30:10:00:AA:01:56:70	Key Spring for White Key	キースプリング	
39	30:10:00:AA:01:56:80	- do. - for Black Key	"	
80	40:10:00:HS:41:04:70	Variable Resister A10K	ポ リ ウ ム	VOLUME
81	40:10:00:HS:41:04:80	- do. - B10K	"	Others
45	40:10:00:HS:41:06:40	- do. - B50K	"	ORCHESTRA-DEPTH
6	40:10:00:HS:41:06:90	- do. - B10K + B10K	"	PITCH DETUNE
3	40:10:00:HS:41:07:00	- do. - B500K	"	VIB-DELAY
4	40:10:00:HS:41:07:10	- do. - A100K	"	BRILLIANCE
12	30:10:00:CB:80:84:00	Knob	ツ マ ミ	Others
21	30:10:00:CB:81:06:50	- do. -	"	PITCH
20	30:10:00:CB:81:06:60	- do. -	"	DETUNE
13	30:10:00:NB:80:87:20	Tablet Assembly with Botton	タブレット Ass'y 4 連	VIOLIN
14	30:10:00:NK:00:43:40	Botton Assembly	タブ レ ッ ト ボ タ ン	- do. -
18	30:10:00:NB:80:87:30	Tablet Assembly with Botton	タブレット Ass'y 3 連	CELLO
19	30:10:00:NK:00:43:30	Botton Assembly	タブ レ ッ ト ボ タ ン	- do. -
42	30:10:00:NB:80:87:10	Tablet Assembly with Botton	タブレット Ass'y 3 連	ORCHESTRA
43	30:10:00:NK:00:43:50	Botton Assembly	タブ レ ッ ト ボ タ ン	- do. -
54	40:10:00:LB:20:11:20	Phone Jack Stereo	ホ ー ン ジャ ッ ク	FOOT CONTROLLER
55	40:10:00:LB:20:06:30	- do. - Mono	"	FOOT SW. OUTPUT
59	40:10:00:GA:80:76:20	Power Transformer	電 源 ト ラ ン ス	Japan, US American Canadian
	40:10:00:GA:80:77:20	- do. -	"	Others
2	40:10:00:KA:80:02:00	Power Switch TV-5, SDG5P001	パ ワ ー ス イ ッ チ	US. American, Canadian
	40:10:00:KA:80:01:10	- do. - 250VA SDG5P502	"	Australian, British N. European
	40:10:00:KA:80:02:20	- do. - 125V10A SDG5P	"	Others
82	30:10:00:CB:80:84:50	Knob for Power Switch	パ ワ ー ツ マ ミ	
	40:10:00:FZ:00:01:10	Spark Suptessor Capacitor 125V 0.033 + 120	ス パ ー ク キ ラ ー	Japan. US. American
	40:10:00:FZ:00:09:50	- do. - 250V 0.033 + 120	"	Canadian
	40:10:00:FQ:02:44:70	Oil Capacitor 600V 0.047 μ F	"	General, S. African
7	40:10:00:JB:00:03:60	Neon Bracket Lamp	ネオンブラケットランプ	BNR-3u

Ref. No.	Part No.(パーツNo.)	Description (部品名)	Remarks (備考)	Common Model		
52	40:10:00:KB:00:03:10	Fuse 250V 0.5A	ヒューズ	Others		
	40:10:00:KB:00:07:10	Fuse, miniature type 250V, 0.5A	"	British, N. European		
	40:10:00:KB:00:11:50	- do. -, Approved by UL. - do. -	"	US. American, Canadian		
53	40:10:00:LB:20:05:90	Fuse Holder	ヒューズホルダー	British, N. European		
	40:10:00:LB:20:04:90	- do. -	"	Others		
51	40:10:00:LB:30:05:60	A.C Socket	A C ソケット	CM-3		
50	40:10:00:MG:00:05:60	Cord Assembly	コード Ass'y	Japan		
	40:10:00:MG:00:05:80	- do. -	"	US. American		
	40:10:00:MG:00:03:60	- do. -	"	N. European		
	30:12:00:MZ:80:06:50	- do. -	"	S.African		
	30:12:00:MZ:80:17:40	- do. -	"	Australian		
	30:12:00:MZ:80:17:50	- do. -	"	European		
56	40:10:00:LA:00:10:90	Terminal	カラー端子板	Japan, US. American Canadian		
	40:10:00:LA:00:07:60	- do. -	"	Others		
9	30:56:00:CB:01:09:80	Spacer for DC Circuit Board	シートスペーサー			
17	30:10:00:BA:80:17:30	Aluminium Spacer	アルミスペーサー	for Tablet		
77	30:10:00:CB:80:83:70	Cushion	クッション			
62	30:10:00:CB:01:18:30	Spacer	スペーサー			
63	30:10:00:AA:80:64:60	Hinge	蝶番			
10	40:10:00:EQ:03:11:60	Round Head Wood Screw 3.1 x 16	⊕ 丸木ネジ			
15	40:10:00:EQ:03:12:00	- do. - 3.1 x 20	"	ZMC2-Y		
44	40:10:00:EQ:03:11:60	- do. - 3.1 x 16	"	ZMC2-Y		
60	40:10:00:EQ:03:52:00	- do. - 3.5 x 20	"	ZMC2-Y		
65	40:10:00:EQ:33:11:30	- do. - 3.1 x 13	"	ZMC2-BI		
71	40:10:00:EQ:03:52:00	- do. - 3.5 x 20	"	ZMC2-Y		
57	40:10:00:EQ:33:52:00	- do. - 3.5 x 20	"	ZMC2-BI		
61	40:10:00:EP:04:12:50	Flat Head Wood Screw 4.1 x 25	皿木ネジ	ZMC2-Y		
64	40:10:00:EP:33:51:00	- do. - 3.5 x 10	"	ZMC2-BI		
22	40:10:00:EA:04:01:20	Pan Head Screw 4 x 12	ナベ小ネジ	ZMC2-Y		
32	40:10:00:ED:03:00:80	Bind Head Screw 3 x 8	バインド小ネジ			
70	40:10:00:ED:03:00:60	- do. - 3 x 6	"			
23	40:10:00:EV:30:00:40	Spring Lock Washer 4s	バネ座金	ZMC2-Y		
24	40:10:00:EV:20:00:40	Flat Washer 4s	平座金	ZMC2-Y		
78	40:10:00:EV:20:30:40	- do. - 3s	"	ZMC2-BI		

